

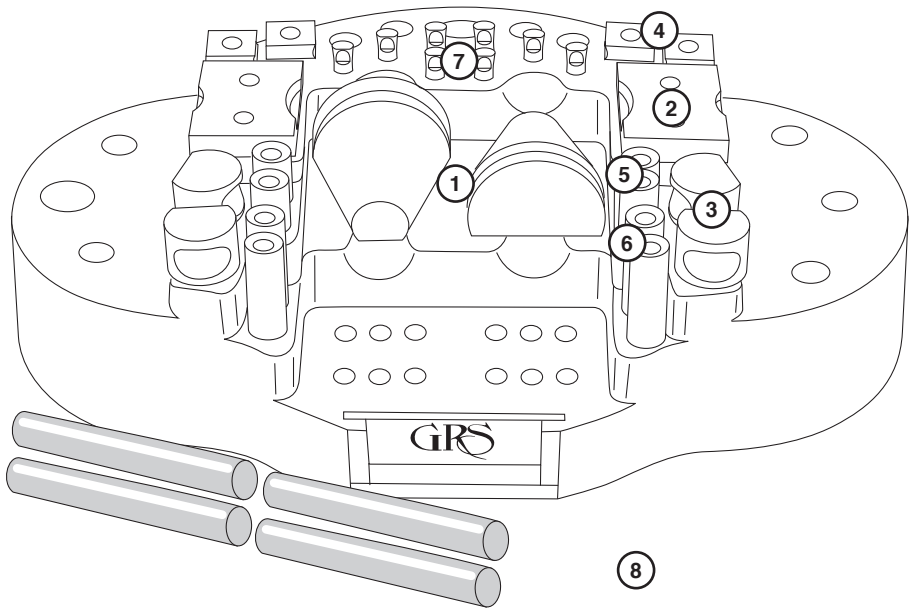


# Attachment Set

for GRS Ball Vises • #003-520

With a variety of pins that fit the upper jaw plates of every GRS Block, users can now instantly solve workholding problems and start working sooner. Includes 4 one-half Thermo-Loc sticks, 8 small pins, 4 flat square pins, 2 rectangular inset-curve pins, 4 thick round inset pins, 8 rubber-coated pins, and 2 leather-faced ring clamp pins in molded base.

For more information and instructions on Thermo-Loc's use, please visit: [www.thermo-loc.com](http://www.thermo-loc.com).



PART #	DESCRIPTION	QTY.
1	003-513 Ring clamp assembly	2
2	003-514 Attachment plate #3 assembly	2
3	003-515 Attachment plate #2 assembly	4
4	003-516 Attachment plate #1 assembly	4
5	003-517 Attachment pin #3 assembly (short)	4
6	003-518 Attachment pin #2 assembly (long)	4
7	003-050 Formed complete attachment pin #1	8
8	011-419 Thermo-Loc (6" PCS)	2

**GLENDO**  
CORPORATION

900 Overlander Road • Emporia, KS 66801 USA  
800-835-3519 • 620-343-1084 • Fax: 620-343-9640  
[grs@grstools.com](mailto:grs@grstools.com) • [www.grstools.com](http://www.grstools.com)  
Last Updated: August 26, 2012

LIT-003-062