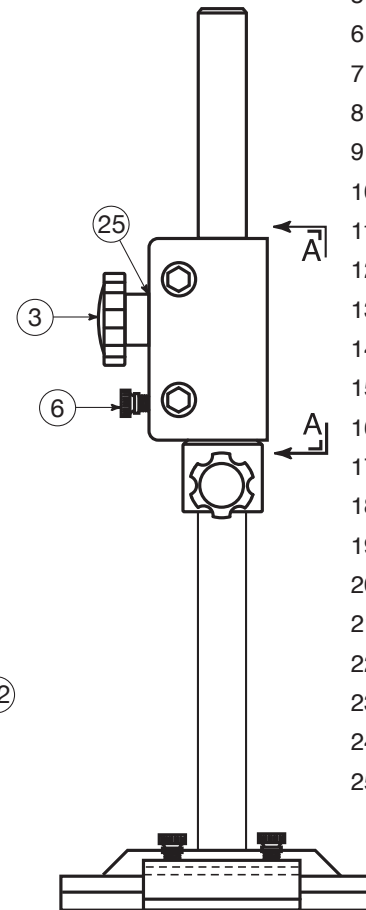
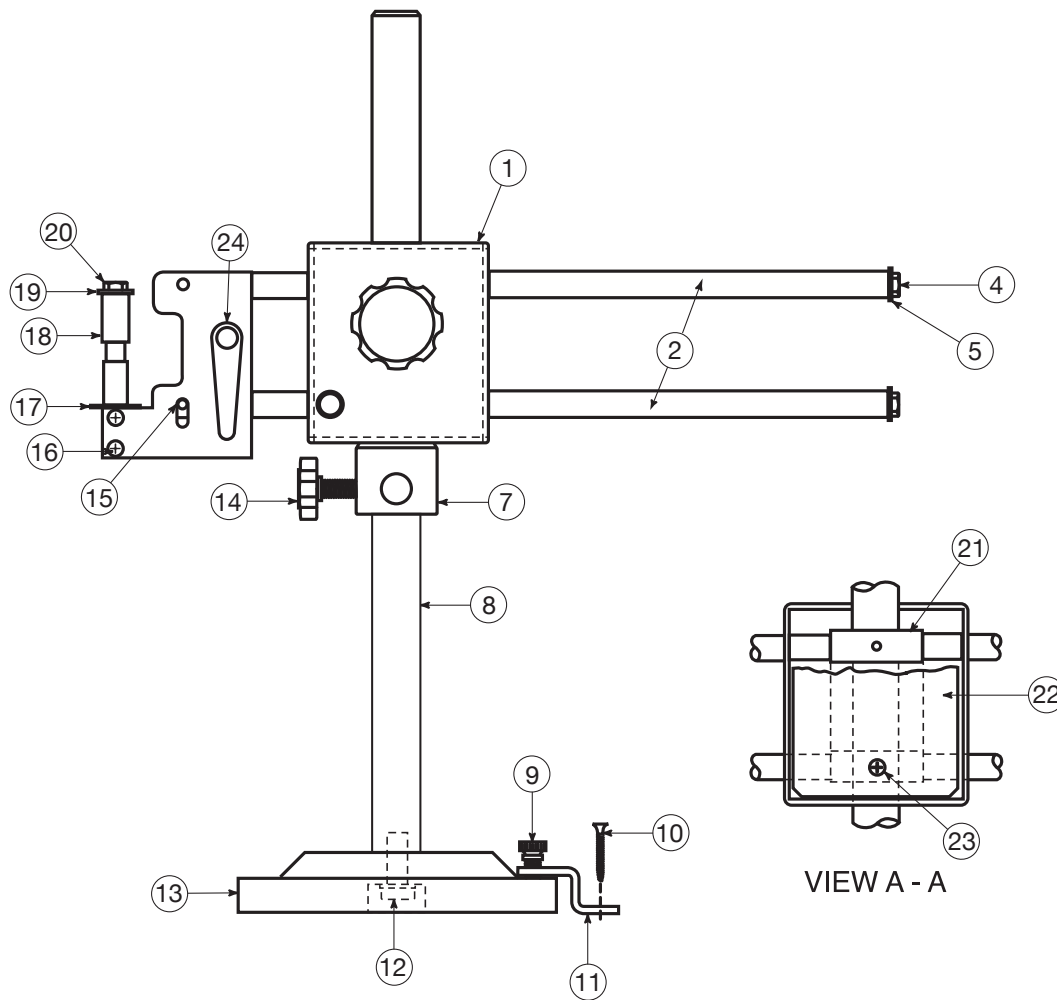


# GRS Original Microscope Stand

PARTS LIST • #003-564



- |    |         |                              |
|----|---------|------------------------------|
| 1  | 003-555 | Box Assy                     |
| 2  | 003-161 | Shaft (2 Req'd)              |
| 3  | 003-552 | Adjustment Knob              |
| 4  | 002-286 | 1/4-20 X 1/2 HHB (3 Req'd)   |
| 5  | 002-307 | Washer (2 Req'd)             |
| 6  | 002-513 | Thumb Screw                  |
| 7  | 003-556 | Collar Assy.                 |
| 8  | 003-160 | Post                         |
| 9  | 002-513 | Thumb Screw (2 Req'd)        |
| 10 | 002-744 | #10 X 1 FHWS PHIL Z/P        |
| 11 | 003-159 | Hold Down                    |
| 12 | 022-165 | 1/2" Lock Washer             |
| 13 | 003-209 | Base                         |
| 14 | 004-544 | Knob Assy.                   |
| 15 | 002-733 | Pin                          |
| 16 | 002-065 | #10-32 X 3/8" RHMS (4 Req'd) |
| 17 | 002-945 | Nylon Washer                 |
| 18 | 003-169 | Mount Post                   |
| 19 | 001-425 | Washer .312 X .875 X .145    |
| 20 | 002-286 | 1/4-20 X 1/2" HHB            |
| 21 | 003-155 | Clamp                        |
| 22 | 003-156 | Cover                        |
| 23 | 002-065 | #10-32 X 3/8" RHMS           |
| 24 | 022-097 | Handle                       |
| 25 | 002-414 | Nylon Washer                 |

**GLENDO CORPORATION** 900 Overlander Road • Emporia, KS 66801 USA  
 800-835-3519 • 620-343-1084 • Fax 620-343-9640  
 grs@grstools.com • www.grstools.com  
 Last Updated: January 8, 2013