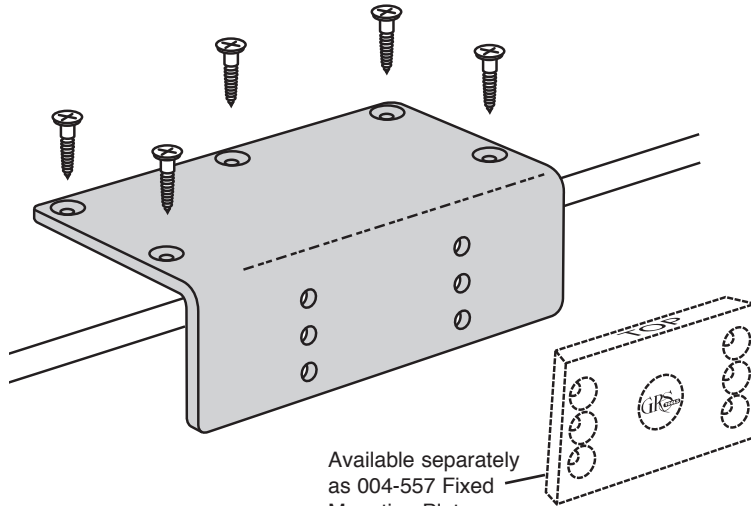




Optional Mounting Adapter

INSTRUCTIONS • #004-559

This adapter is used to fasten the GRS Fixed Mounting Plate to benches whose top edge is too narrow to allow normal front edge mounting.



Available separately
as 004-557 Fixed
Mounting Plate

Step 1 Attach the Fixed Mounting Plate to the Mounting Adapter using the #10-32 flat head screws and nuts provided. There are six holes in the adapter; it only requires four screws to hold the plate. Select the four holes that best positions the plate. *NOTE: Be sure to mount the Fixed Plate with the side that says "TOP" at the top.*

Step 2 Attach the Adapter to the bench top, pushing it as far back against the edge as possible. Use the six screws included or other fasteners as needed.

#004-559 PARTS LIST

#004-110	Mounting Adapter Plate
#002-744	Screws
#002-290	10-32 X 3/4" FHMS
#002-204	10-32 UNF Whiz Nut

900 Overlander Road • Emporia, KS 66801 USA
800-835-3519 • 620-343-9640 • Fax: 620-343-9640
grs@grstools.com • www.grstools.com
Last Updated: December 26, 2012

LIT-004-112