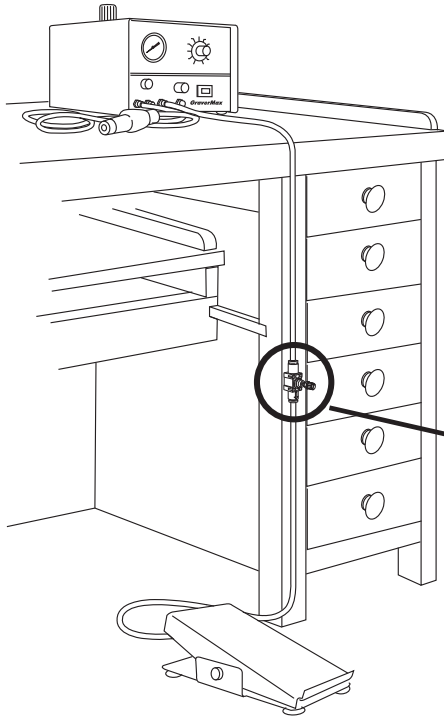
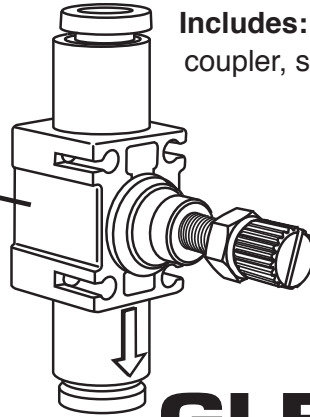


GRS Adjustable Power Limiter Valve

For GraverMax or GraverMate • 004-808



This valve restricts the amount of escaping air, creating a control setting that limits the amount of impacts produced by the handpiece. When depressing the foot control, the action of the handpiece will “max-out” at the desired setting of the Power Limiter Valve. This allows for more control for finer engraving work. The valve is positioned in the air line to the foot control on any GraverMax or GraverMate system.



Includes: Adjustable Power Limiter Valve, extra air hose, coupler, screws, and instructions.

Order from any
GRS Dealer.

GLENDO
CORPORATION

900 Overlander Road • Emporia, KS 66801 USA
800-835-3519 • 620-343-1084 • Fax: 620-343-9640
grstools@grstools.com • www.grstools.com
Last Updated: January 31, 2013