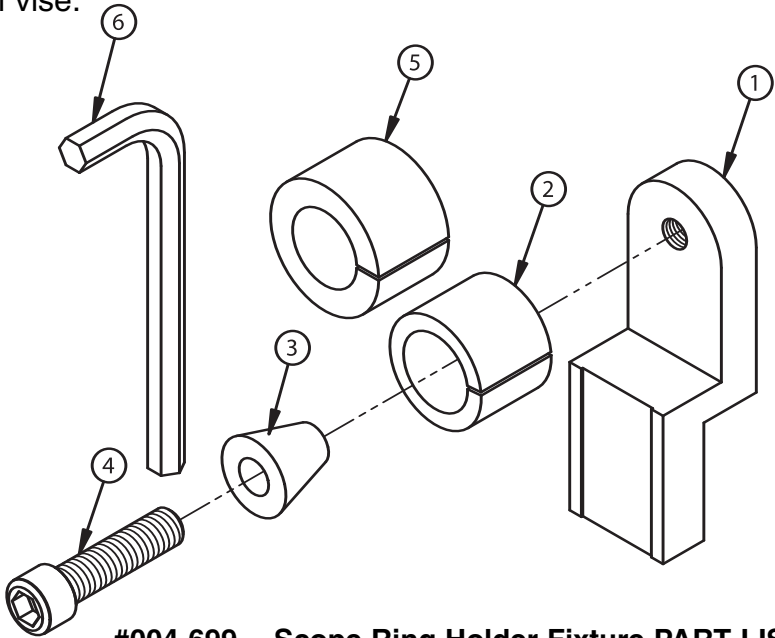
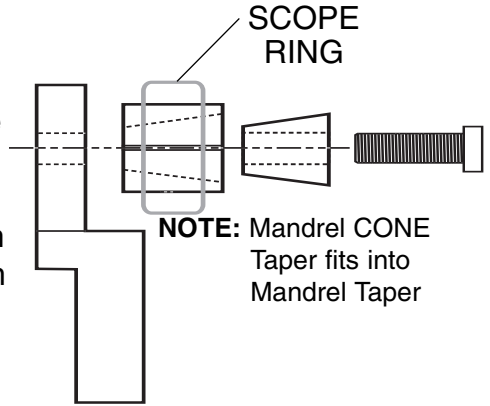


SCOPE RING HOLDER FIXTURE FOR VISES

INSTRUCTIONS:

Insert bolt through the expansion cone and place inside the mandrel you have selected. (See Illustration at right) Position scope ring on the selected mandrel. Attach bolt to ring holder frame with the supplied wrench until scope ring is snug. Secure scope ring holder fixture in a ball vise.



#004-699 - Scope Ring Holder Fixture PART LIST

1	#004-467	Inside Scope Ring Holder Base
2	#004-466	Mandrel - 1.0" Scope Ring
3	#004-464	Expansion Cone for Ring Mandrel
4	#002-400	5/16-18 X 1 1/4" SHCS
5	#004-465	Mandrel - 30mm Scope Ring
6	#002-751	1/4" short arm Hex Wrench