

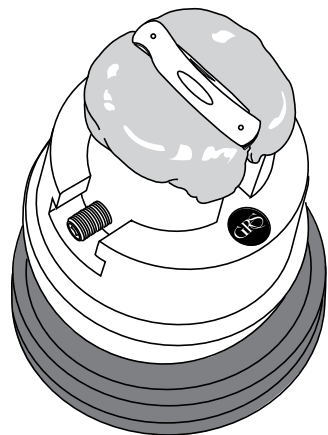
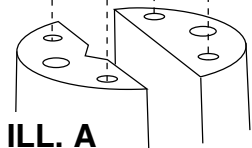
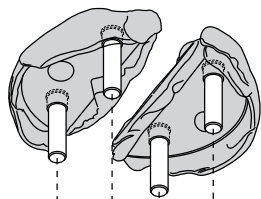
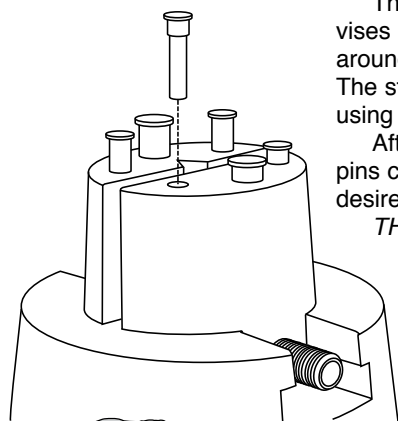
GRS Thermo-Loc™ Pin Kit

INSTRUCTIONS • #003-670 & #003-671

Thermo-Loc Pins fit into the top jaw holes of GRS vises (engraving blocks). Softened Thermo-Loc is applied around these pins and formed to fit the workpiece. The stainless steel pins provide better clamping than using Thermo-Loc alone.

After cooling, the formed Thermo-Loc with imbedded pins can be removed from the jaws and reinstalled when desired (ILL. A). **NOTE: MAKE SURE THE FORMED THERMO-LOC HAS COOLED BEFORE REMOVING FROM VISE.** If not, shrinkage may make it difficult to replace back into the vise.

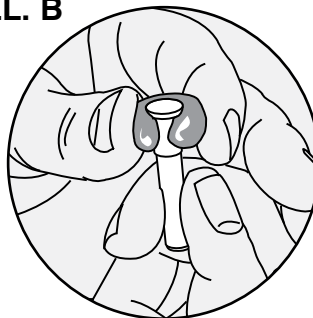
NOTE: Remember to think about how you will remove your workpiece BEFORE you form Thermo-Loc around it. Thermo-Loc becomes amazingly stiff at room temperature which generally prevents you from bending it out of shape to remove your part. Instead, look at the shape of your part and form Thermo-Loc around it in such a way that it will slide off in at least one direction.



CAUTION:
Read and follow the Thermo-Loc instructions (Lit #230) to avoid injury.

RECOMMENDED:
Apply a small amount of Thermo-Loc around the head of each PIN (ILL. B). Keep the Thermo-Loc above the pin stop edge. Thermo-Loc sticks to itself very aggressively. Using this method will eliminate a loose pin fit.

ILL. B



TO REMOVE PINS FROM THERMO-LOC
Heat Thermo-Loc until soft and work pins out.



900 Overlander Road • Emporia, KS 66801 USA
800-835-3519 • 620-343-1084 • Fax: 620-343-9640
glendo@glendo.com • www.grstools.com
Last Updated: 03-25-2014

ORDER FORM

QTY.	PART NO.	DESCRIPTION	COST	TOTAL
	#003-667	Thermo-Loc Starter Kit Includes 6" (150mm) square non-stick PTFE pad and 1 lb. (450 gm) Thermo-Loc sticks.	\$42.95	
		Thermo-Loc sticks		
	#003-664	0.5 lb. (225 gm)	\$19.95	
	#003-665	1.0 lb. (450 gm)	\$33.95	
	#003-666	5.0 lb. (2.26 kg)	\$139.95	
	#003-291	Low- Friction PTFE Pad - 6" (150mm) square	\$11.80	
	#003-669	Thermo-Loc Jaw Kit for GRS Magnablock, Positioning & Low Profile Includes 2 master upper jaws (one pivoting), 4 threaded bonding strips, bolts and wrench	\$86.95	
	#003-668	Thermo-Loc Jaw Kit for GRS Standard Vise Includes 2 master upper jaws (one pivoting), 4 threaded bonding strips, bolts and wrench. This jaw kit fits only GRS Standard Engraving Vises.	\$84.95	
	#003-671	Pin Kit for GRS Magnablock, Positioning & Low Profile Vise Includes 4 ea. 1/4" short pins, 4 each 1/4" medium pins, 2 each 3/8" short pins, 2 each 3/8" medium pins.	\$30.95	
	#003-670	Pin Kit for GRS Standard Vise Includes 6 ea. 1/4" short pins, 6 each 1/4" medium pins	\$30.95	

Ship To: _____ (Prices subject to change without notice.) **TOTAL** _____

Company _____

Name _____

Shipping Address _____

City _____ State _____ Zip _____

Phone: _____

METHOD OF PAYMENT:

- Check or Money Order
(for personal check allow 7 days to process)
- Charge my account (listed firms only)
- MasterCard Visa
- American Exp. Discover

Card No. _____

Exp. _____ / _____

Your Signature _____

Shipping: Enclose money order or personal check and receive FREE ground shipping in lower 48 states. Freight and Handling costs will be charged to account or credit card. Sent US Mail or UPS ground unless otherwise requested.

Please send via: _____

MAIL ORDER TO: GRS Tools
P.O. Box 1153 • Emporia, KS 66801

FAX ORDER TO: 620-343-9640

ORDER TOLL FREE: 1-800-835-3519
Monday - Friday / 8am-5pm Central Time
PLEASE ASK FOR ORDER DESK

LIT-231