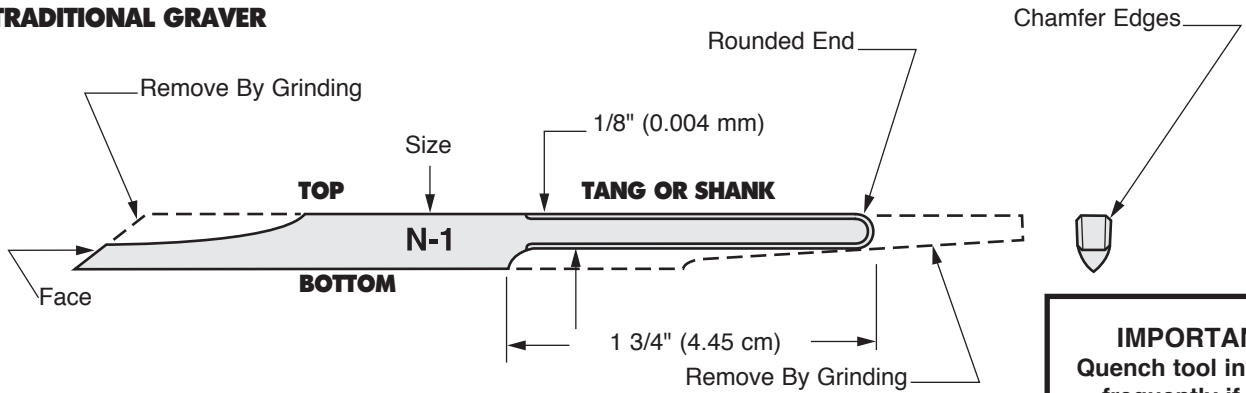


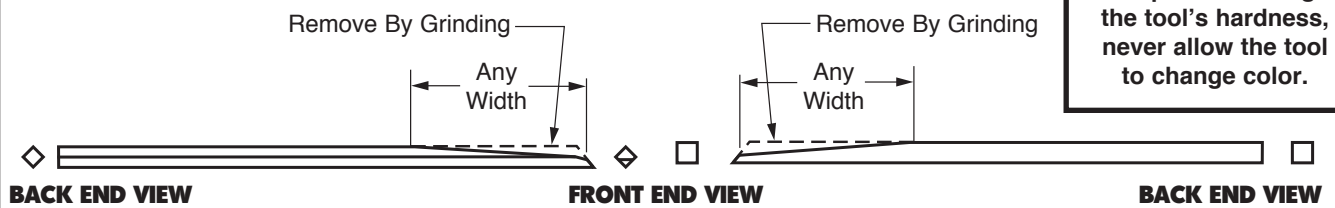
GRS ANATOMY OF A GRAVER

TRADITIONAL GRAVER

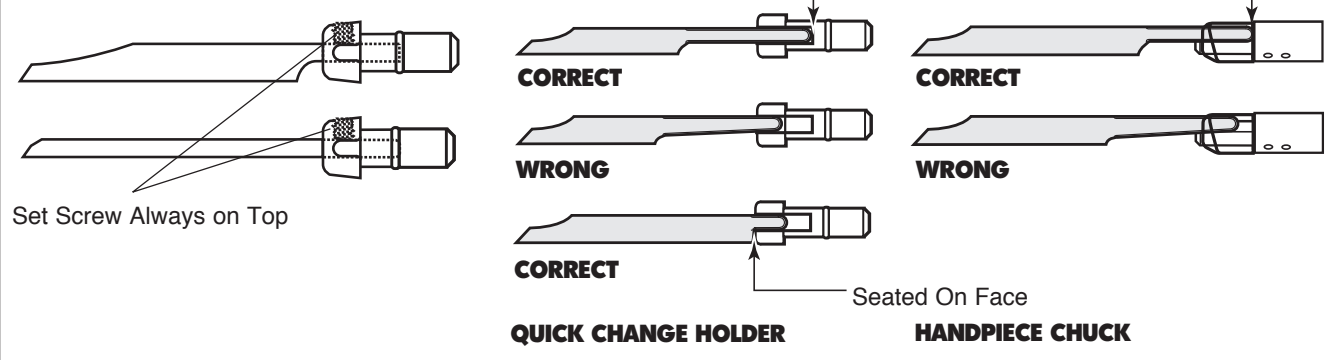


IMPORTANT
 Quench tool in water frequently if you are using a grinder. To prevent losing the tool's hardness, never allow the tool to change color.

SQUARE GRAVER

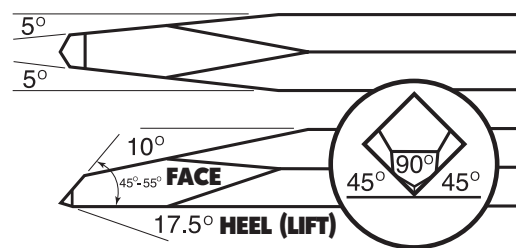


HOW-TO INSERT INTO HOLDER

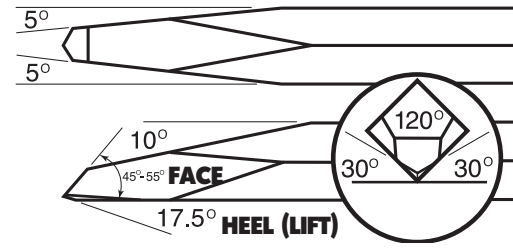


DEGREES OF GRAVERS

90° GRAVER



120° GRAVER



GLENDO
 CORPORATION

900 Overlander Road Emporia, KS 66801 USA
 800-835-3519 620-343-1084 Fax: 620-343-9640
 grs@grstools.com www.grstools.com
 Last Updated: February 8, 2013