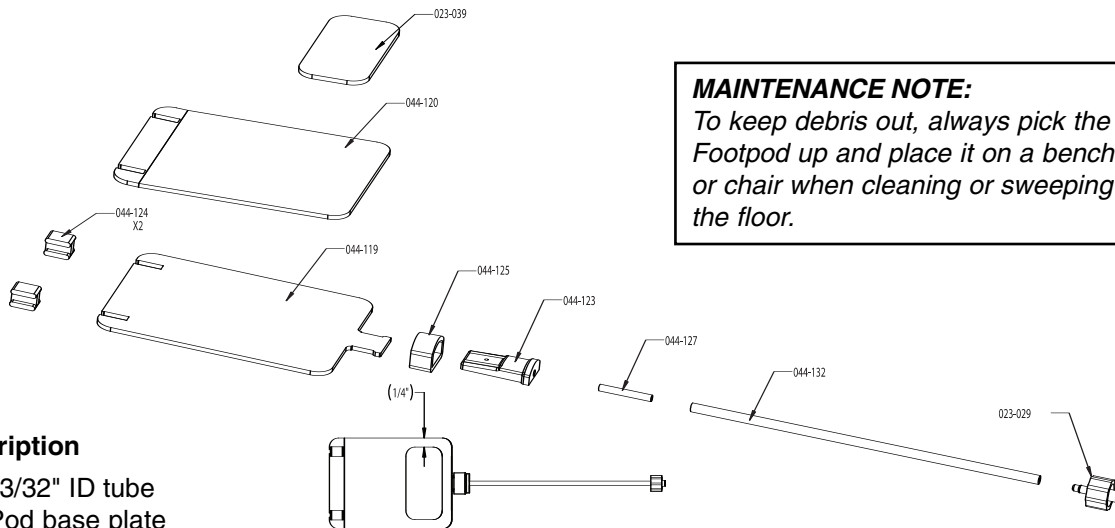


# GRS Airtact FootPod Touch Element PARTS LIST

PART #004-956



## **MAINTENANCE NOTE:**

*To keep debris out, always pick the Footpod up and place it on a bench or chair when cleaning or sweeping the floor.*

## **Part No. Description**

- 023-029 Male 3/32" ID tube
- 044-119 FootPod base plate
- 044-120 FootPod top plate
- 044-123 FootPod air cavity
- 044-124 Plate retainer
- 044-125 Retaining band
- 044-127 Hose connection 0.094" x 0.063" x 0.750"
- 044-132 FootPod control hose, 3/32" ID x 72" long
- 023-039 1" x 2" x 1/16" neoprene pad

## **GLENDO**

**CORPORATION**

900 Overlander Road  
 P.O. Box 1153  
 Emporia, KS 66801 USA  
 800-835-3519 • 620-343-1084  
 fax 620-343-9640  
[glendo@glendo.com](mailto:glendo@glendo.com)  
[www.grstools.com](http://www.grstools.com)

LIT-301