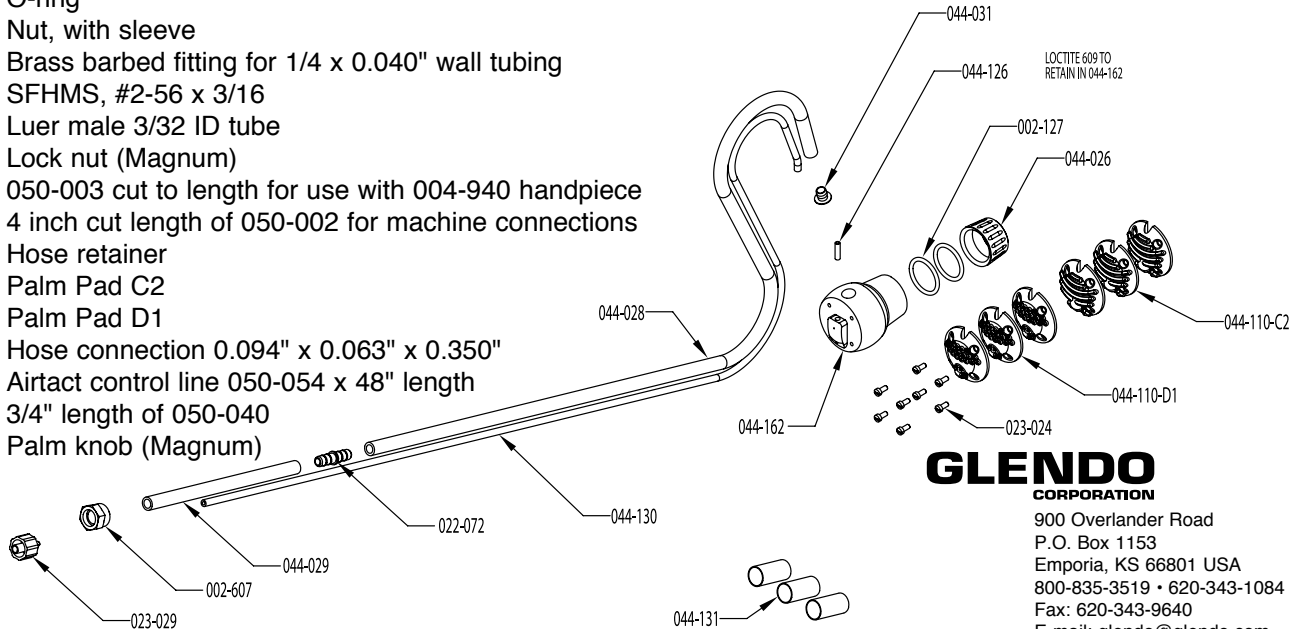


GRS Airtact Palm Touch Element PARTS LIST

for Magnum Handpiece • PART #004-957SS

Part No.	Description
002-127	O-ring
002-607	Nut, with sleeve
022-072	Brass barbed fitting for 1/4 x 0.040" wall tubing
023-024	SFHMS, #2-56 x 3/16
023-029	Luer male 3/32 ID tube
044-026	Lock nut (Magnum)
044-028	050-003 cut to length for use with 004-940 handpiece
004-029	4 inch cut length of 050-002 for machine connections
044-031	Hose retainer
044-110-C2	Palm Pad C2
044-110-D1	Palm Pad D1
044-126	Hose connection 0.094" x 0.063" x 0.350"
044-130	Airtact control line 050-054 x 48" length
044-131	3/4" length of 050-040
044-162	Palm knob (Magnum)



GLENDO
CORPORATION

900 Overlander Road
P.O. Box 1153
Emporia, KS 66801 USA
800-835-3519 • 620-343-1084
Fax: 620-343-9640
E-mail: glendo@glendo.com
www.grstools.com