

GRS

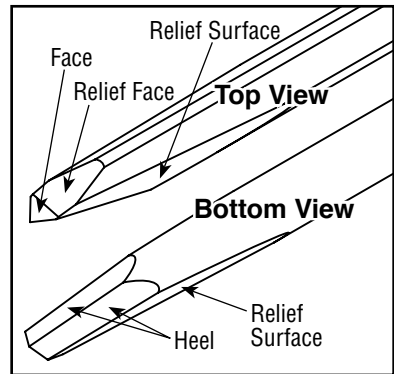
C-Max Burin

This GRS Burin is a special tungsten carbide graver made for hand engraving, especially intaglio print making. The material is GRS C-Max, a grade of carbide that has the ability to hold a sharp edge for an incredibly long time. Because this material is a very hard tungsten carbide, it can only be sharpened using a diamond abrasive. Ordinary sharpening stones or grinding wheels will not work on this material.

FACTORY TOOL GEOMETRY

The burin is made from a 0.125" (3.17mm) diameter round blank approximately 3" (75mm) long. On the top front of the burin are two ground reference surfaces forming a 90° square edge. This provides a clamping surface for resharpening using most GRS sharpening fixtures.

- **FACE ANGLE:** 35°
- **HEEL CONSTRUCTION:** 2 flat ground surfaces approximately 0.25" (6mm) long at 12° elevation angle forming a 100° included V-point. This creates a slightly wider point than a traditional square graver.
- **OTHER DETAILS:** Behind the 35° front graver face is a relief face sharpened at 15°. The burin sides are thinned by grinding a 2.5° relief surface on both sides approximately 0.6" (15mm) long.



RESHARPENING

In most cases, only the front 35° face should be resharpened. Remove just enough face material to restore a sharp point using a 1200 grit or finer diamond abrasive. After significant use, the 12° heel surfaces may need to be reground. Stropping the heel surfaces to a highly polished finish using spray diamond on a hard leather pad will increase tool life, improve the quality of the cut and reduce engraving effort.

ADJUSTING THE BURIN LENGTH

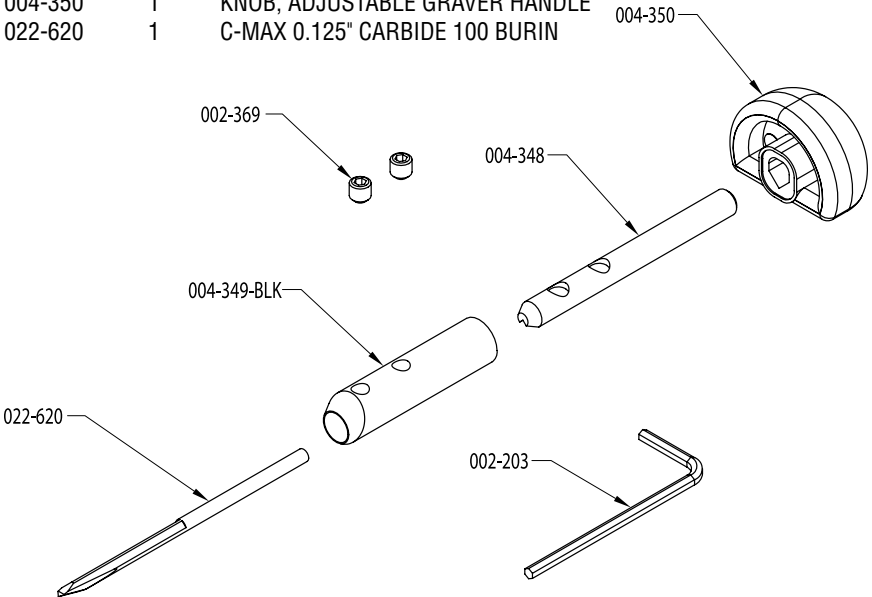
The GRS adjustable graver handle allows you to set the desired burin length. Loosen the two set screws, slide the burin in/out of the handle to the length desired, and then tighten the set screws.

PROTECTING THE BURIN POINT

While C-Max is very hard, it is also somewhat brittle. Always keep the sharp point protected by covering it with rubber tubing or some other soft material, like cork, plastic foam, etc.

PARTS LIST FOR GRS C-MAX BURIN KIT • #044-504

PART NO.	QTY.	DESCRIPTION
002-203	1	WRENCH, 3/32" ALLEN
002-369	2	SHSS, #10-32 X 0.19" BLK
004-348	1	POST, ADJUSTABLE GRAVER HANDLE
004-349-BLK	1	COLLAR, ADJUSTABLE GRAVER HANDLE
004-350	1	KNOB, ADJUSTABLE GRAVER HANDLE
022-620	1	C-MAX 0.125" CARBIDE 100 BURIN



GLENDO CORPORATION

900 Overlander Road
P.O. Box 1153
Emporia, KS 66801 USA
800-835-3519 • 620-343-1084
Fax: 620-343-9640
E-mail: glendo@glendo.com
www.grstools.com