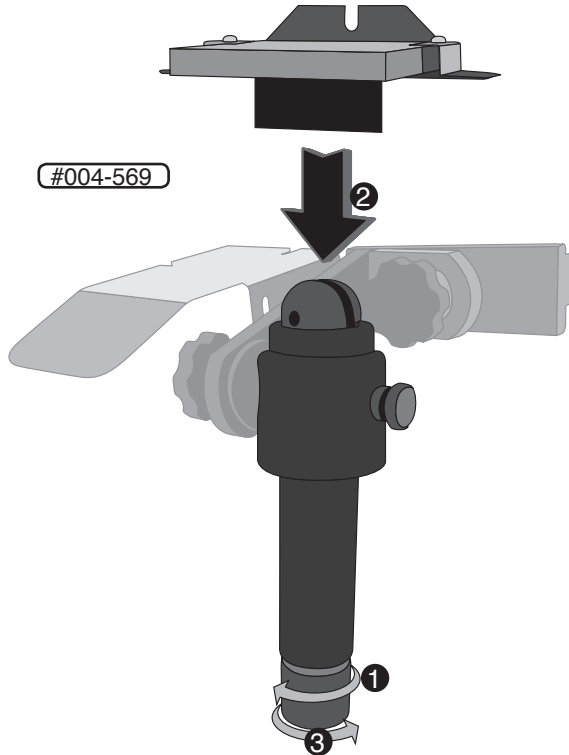




Solder Station

For Solder Station and BenchMate Plus Package
ASSEMBLY • #004-569 and #004-571



Directions for assembling Solder Station into BenchMate:

1. Turn knurled nut at the base of the BenchMate counter clockwise to open BenchMate jaws.
2. Place Solder Station into jaws of BenchMate.
3. Close BenchMate jaws to secure Solder Station.

GLENDO CORPORATION

900 Overlander Road • Emporia, KS 66801 USA
800-835-3519 • 620-343-1084 • Fax 620-343-9640
grs@grstools.com • www.grstools.com
Last Updated: January 3, 2013